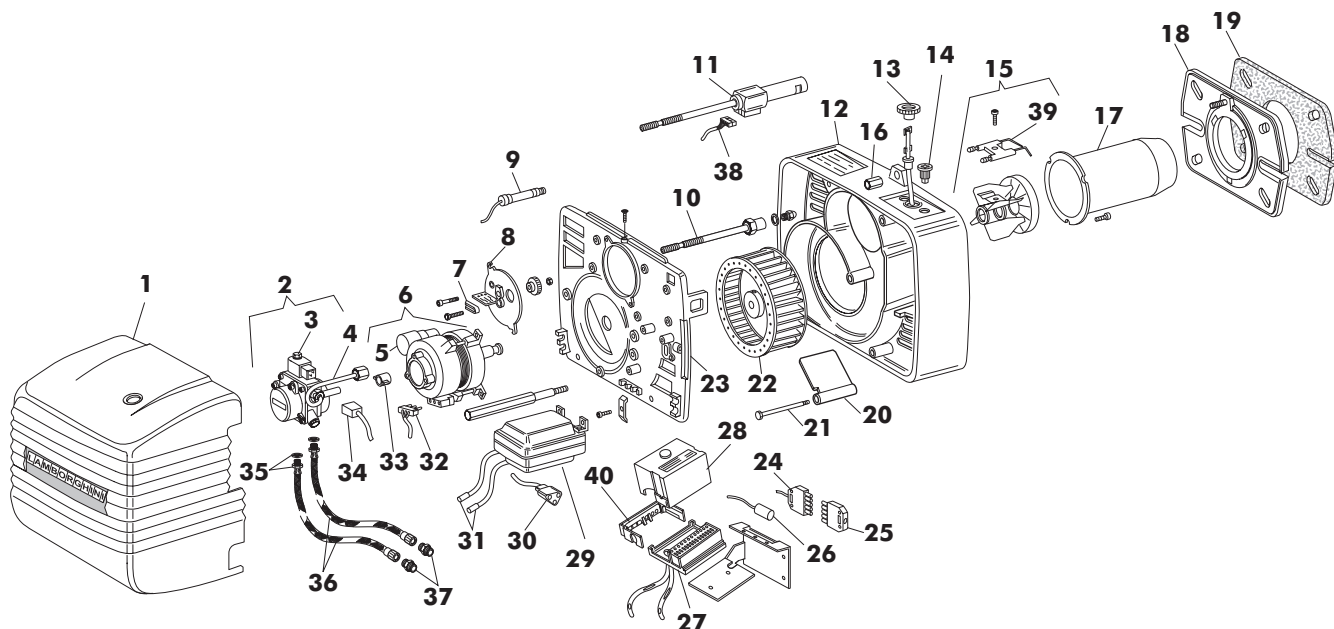


Поз.	Код	Наименование
------	-----	--------------

1	1.10727.0	Кожух
2	4.01778.0	Насос AS
2	4.03304.0	Насос DANFOSS
3	4.03473.0	Катушка DANFOSS
4	1.10083.0	Труба нагнетания на SUNTEC
4	1.10076.0	Труба нагнетания на DANFOSS
5	4.03513.0	Конденсатор
6	1.10088.0	Двигатель
7	1.07780.0	Указатель
8	1.07776.0	Фланец линии жиклера (ECO 3)
8	1.08476.0	Фланец линии жиклера (ECO 3-R)
9	4.01234.1	Фотозлемент
10	1.08557.0	Узел суппорта жиклера (ECO 3)
11	1.09256.0	Уз. нагревателя DANFOSS (ECO 3-R)
12	1.11004.0	Корпус горелки
13	1.07803.0	Шестерня штифта заслонки
14	1.07804.0	Винт регулировки воздуха
15	4.03382.0	Узел отражателя MEKU
16	1.07792.0	Стопорная гайка горелки
17	4.03381.0	Форсунка MEKU
18	1.07777.0	Несъемный фланец крепления котла
19	1.07785.0	Изоляционная прокладка

Поз.	Код	Наименование
------	-----	--------------

20	1.07783.0	Заслонка
21	1.07784.0	Штифт заслонки
22	4.03181.0	Вентилятор
23	1.07778.0	Монтажная плита
24	4.03422.0	Штепсель
25	4.03210.0	Штепсельный блок
26	4.03471.0	Фильтр FC
27	4.01551.0	Монтажная колодка
28	4.03523.0	Аппаратура LANDIS
29	4.03614.0	Трансф. HDA COMPACT
30	1.08068.0	Кабель со штепселем трансф. FIDA
31	1.08047.0	Кабель электрода
32	1.06962.0	Кабель со штепселем для двигателя
33	4.03514.0	Муфта AEG
34	1.06964.0	Кабель со штепселем для клапана
35	1.00129.0	Шайба 1/4"
36	1.06922.0	Шланг
37	1.00119.0	Ниппель 3/8" мм
38	4.70389.0	Кабель нагревателя
39	4.03107.0	Электроды
40	4.03195.0	Фиксатор кабеля для AGK 66 для против. основ.


**Поз. Код Наименование**

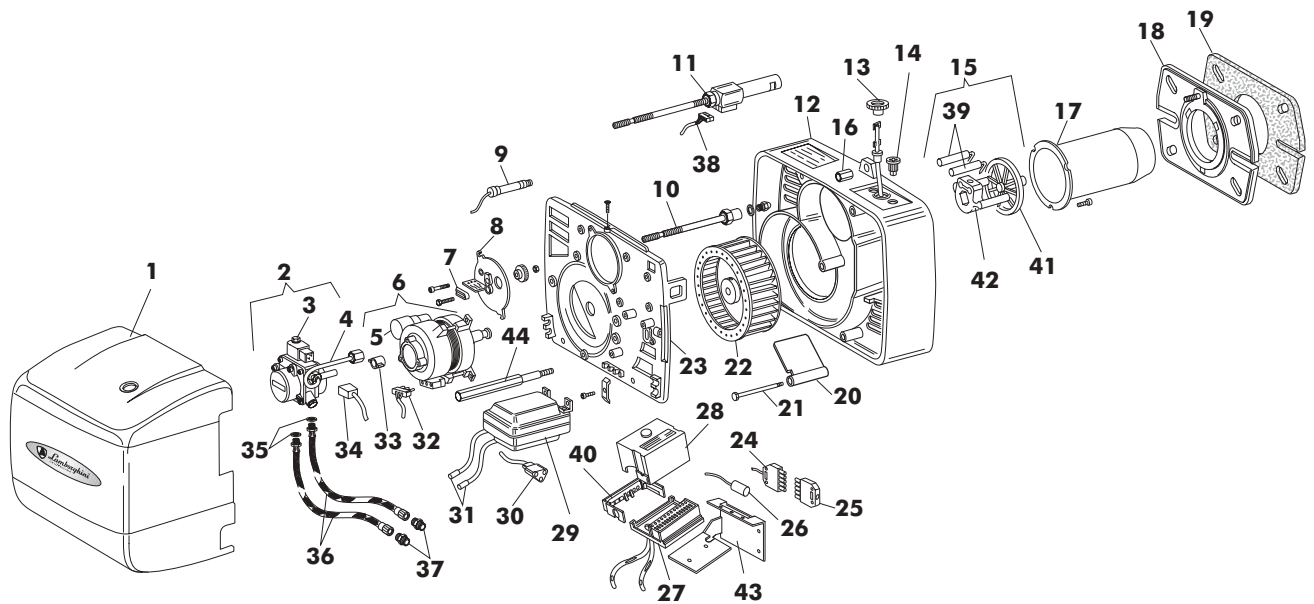
1	1.08086.0	Кожух
2	4.01778.0	Насос AS
2	4.03304.0	Насос DANFOSS
3	4.03473.0	Катушка DANFOSS
4	1.08095.0	Труба нагнетания
4	1.08697.0	Трубка нагнетания
5	4.03513.0	Конденсатор
6	1.10088.0	Двигатель
7	1.07780.0	Указатель
8	1.08087.0	Фланец линии жиклера (ECO 5)
8	1.08579.0	Фланец линии жиклера (ECO 5-R)
9	4.01234.1	Фотоэлемент
10	1.08566.0	Узел суппорта жиклера (ECO 5)
11	1.10231.0	Уз. нагревателя DANFOSS (ECO 5-R)
12	1.11005.0	Корпус горелки
13	1.07803.0	Шестерня штифта заслонки
14	1.07804.0	Винт регулировки воздуха
15	4.02000.0	Узел отражателя с электродами
16	1.07792.0	Стопорная гайка горелки
17	1.07790.0	Форсунка
18	1.07777.0	Несъемный фланец крепления котла
19	1.07785.0	Изоляционная прокладка

**Поз. Код Наименование**

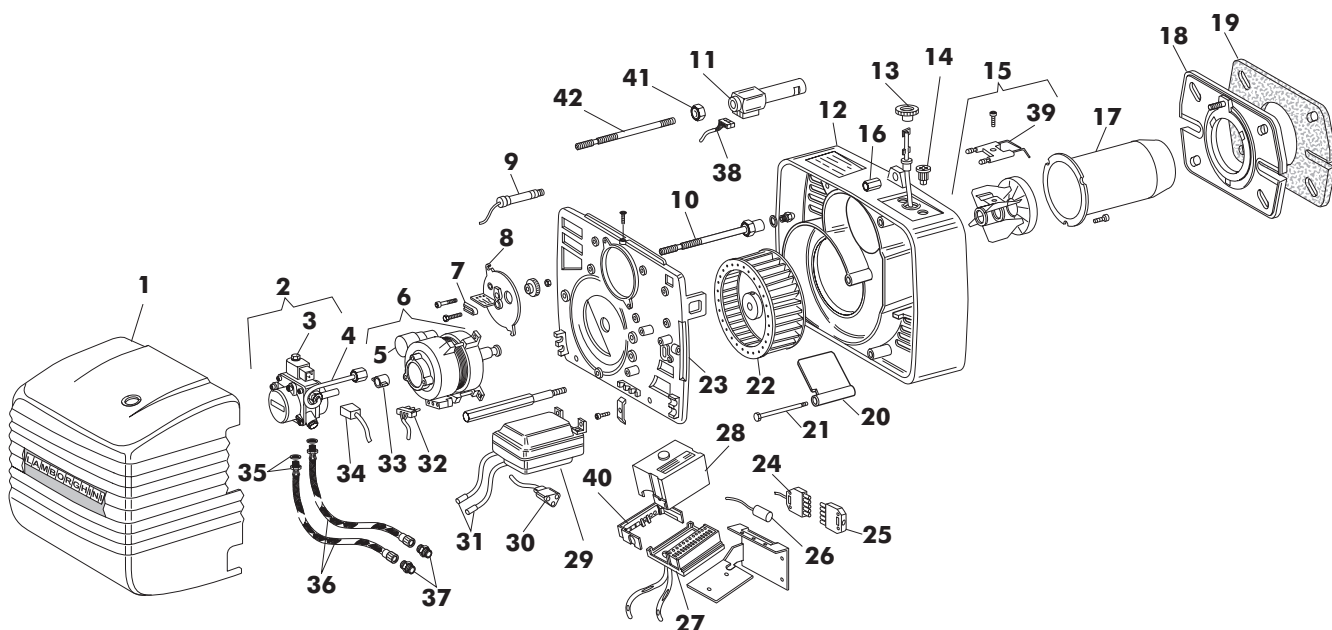
20	1.08090.0	Заслонка
21	1.08091.0	Штифт заслонки
22	4.03516.0	Вентилятор
23	1.08295.0	Монтажная плата
24	4.03422.0	Штепсель
25	4.03210.0	Штепсельный блок
26	4.03471.0	Фильтр FC
27	4.01551.0	Монтажная колодка
28	4.03523.0	Аппаратура LANDIS
29	4.03540.0	Трансф. Серв. SCALDALAI (ECO 5)
29	4.03308.0	Трансф. SCALDALAI с кронштейном (ECO 5-R)
30	1.08068.0	Кабель со штепселем трансф. FIDA
31	1.08047.0	Кабель электрода
32	1.06962.0	Кабель со штепселем для двигателя
33	4.03514.0	Муфта AEG
34	1.06964.0	Кабель со штепселем для клапана
35	1.00129.0	Шайба 1/4"
36	1.06922.0	Шланг
37	1.00119.0	Ниппель 3/8" мм
36	4.70389.0	Кабель нагревателя
39	4.03107.0	Электроды
40	4.03195.0	Фиксатор кабеля для AGK 66 для против. осн.

**ECO 5 N** Cod. **00841220**
**ECO 5 R N** Cod. **00841230**
**TAV. 438**

Febbraio 2006



Pos.	Cod.	Denominazione	Denomination	Denomination	Denominación
1	1.12945.0	Cofano	Cover	Capot	Tapa
2	4.01778.0	Pompa SUNTEC	Pump SUNTEC	Pompe SUNTEC	Bomba SUNTEC
	4.03304.0	Pompa DANFOSS	Pump DANFOSS	Pompe DANFOSS	Bomba DANFOSS
3	4.01870.0	Bobina SUNTEC	Valve coil SUNTEC	Bobine électrovane SUNTEC	Bobina electrovalvula SUNTEC
	4.03473.0	Bobina DANFOSS	Valve coil DANFOSS	Bobine électrovane DANFOSS	Bobina electrovalvula DANFOSS
4	1.08095.0	Tubo mandata per SUNTEC	Feeding tube SUNTEC	Ligne alimentation SUNTEC	Tubo alimentacion SUNTEC
	1.08697.0	Tubo mandata per DANFOSS	Feeding tube DANFOSS	Ligne alimentation DANFOSS	Tubo alimentacion DANFOSS
5	4.03513.0	Condensatore	Condensator	Condensateur	Condensador
6	1.10088.0	Motore	Motor	Moteur	Motor
7	1.07780.0	Indice di riferimento	Reference index	Indéxe de référence	Indice de referencia
8	1.08087.0	Flangia linea gicleur (Eco 5N)	Nozzle line flange (Eco 5N)	Flange ligne gicleur (Eco 5N)	Bride linea inyector (Eco 5N)
	1.08579.0	Flangia linea gicleur (Eco 5RN)	Nozzle line flange (Eco 5RN)	Flange ligne gicleur (Eco 5RN)	Bride linea inyector (Eco 5RN)
9	4.01234.1	Fotoresistenza	Photocell	Photorésistance cellule	Fotoresistencia
10	1.08566.0	G/supporto gicleur (Eco 5N)	Nozzle holder group (Eco 5N)	G/Support gicleur (Eco 5N)	G/Linea inyector (Eco 5N)
11	1.10231.0	G/Preriscaldatore (Eco 5RN)	Preheater group (Eco 5RN)	G/réchauffeur (Eco 5RN)	G/precalentador (Eco 5RN)
12	1.11005.0	Corpo bruciatore	Burner body	Corps du brûleur	Cuerpo quemador
13	1.07803.0	Pignone perno bandella	Pin pinion	Pignon pivot	Piñon pernio
14	1.07804.0	Vite regolazione aria	Air adjustment screw	Vis réglage air	Tornillos de regulacion aire
15	8.01939.0	G/Deflettore con elettrodi	G/deflector and electrodes	G/déflacteur avec électrodes	G/deflector con electrodos
16	1.07792.0	Dado bloccaggio bruciatore	Locking nut	Ecrou de blocage	Tuerca fijacion
17	1.07790.0	Boccaglio	Draught tube	Tube embouchement	Boca de fuego
18	1.07777.0	Flangia fissa attacco caldaia	Boiler connecting flange	Flange connexion chaudièreb	Brida de fijacion a la caldera
19	1.07785.0	Guarnizione isolante	Insulating gasket	Joint isolant	Junta aislante
20	1.08090.0	Bandella atmosferica	Atmospheric air flap	Clapet d'air atmosphérique	Clapeta aire
21	1.11105.0	Perno bandella	Air flap pinion	Pivot clapet d'air	Pernio palomilla
22	4.03517.0	Ventola	Fan	Ventilateur	Turbina
23	1.12044.0	Piastra componenti	Components plate	Plaque composantes	Placa componentes
24	4.03422.0	Presa	Connector	Connecteur	Conector
25	4.03210.0	Spina	Connector	Connecteur	Conector
26	4.03471.0	Filtro antisturbo	Antijamming filter	Filtre antiparasite	Filtro antiparasitario
27	4.01551.0	Base apparecchiatura	Control box base	Base coffret	Base
28	4.03523.0	Apparecchiatura LANDIS LOA	LANDIS LOA control box	Coffret de sécurité LANDIS LOA	Programador LANDIS LOA
	4.04206.0	Apparecchiatura LANDIS LMO	LANDIS LMO control box	Coffret de sécurité LANDIS LMO	Programador LANDIS LMO
29	4.03308.0	Trasformatore	Transformer	Transformateur	Transformador
30	1.08068.0	Cavo spina trasformatore	Transformer cable	Cable du transformateur	Cable transformador
31	1.10694.0	Cavo elettrodo	Electrode cable	Cable électrode	Cable electrodo
32	1.06962.0	Cavo spina motore	Motor cable	Cable du moteur	Cable motor
33	4.03514.0	Giunto	Joint	Joint	Junta
34	1.06964.0	Cavo spina valvola	Valve cable	Cable vanne	Cable electrovalvula
35	1.00129.0	Rondella 1/4"	Washer 1/4"	Rondelle 1/4"	Arandela 1/4"
36	1.06922.0	Flessibile	Hose	Flexible	Flexible
37	1.00119.0	Nipallo mm 3/8"	Nipple 3/8"	Nipple 3/8"	Machon 3/8"
38	4.70389.0	Cavo preriscaldatore (Eco 5RN)	Preheater connector (Eco 5RN)	Connecteur réchau.(Eco 5RN)	Conector precal. (Eco 5RN)
39	4.04031.0	Elettrodi	Electrodes	Électrodes	Electrodos
40	4.03195.0	Fermacavo	Cables' block	Blocage cables	Sujeta-cables
41	1.12039.0	Deflettore	Deflector	Déflacteur	Deflector
42	1.12045.0	Supporto elettrodi	Electrodes holder	Support électrodes	Linea electrodos
43	1.07786.0	Staffa apparecchiatura	Control box holder	Support coffret	Soporte programador
44	1.11007.0	Perno fissaggio piastra	Plate fixing pin	Vis fixation plaque	Pernio fijacion placa

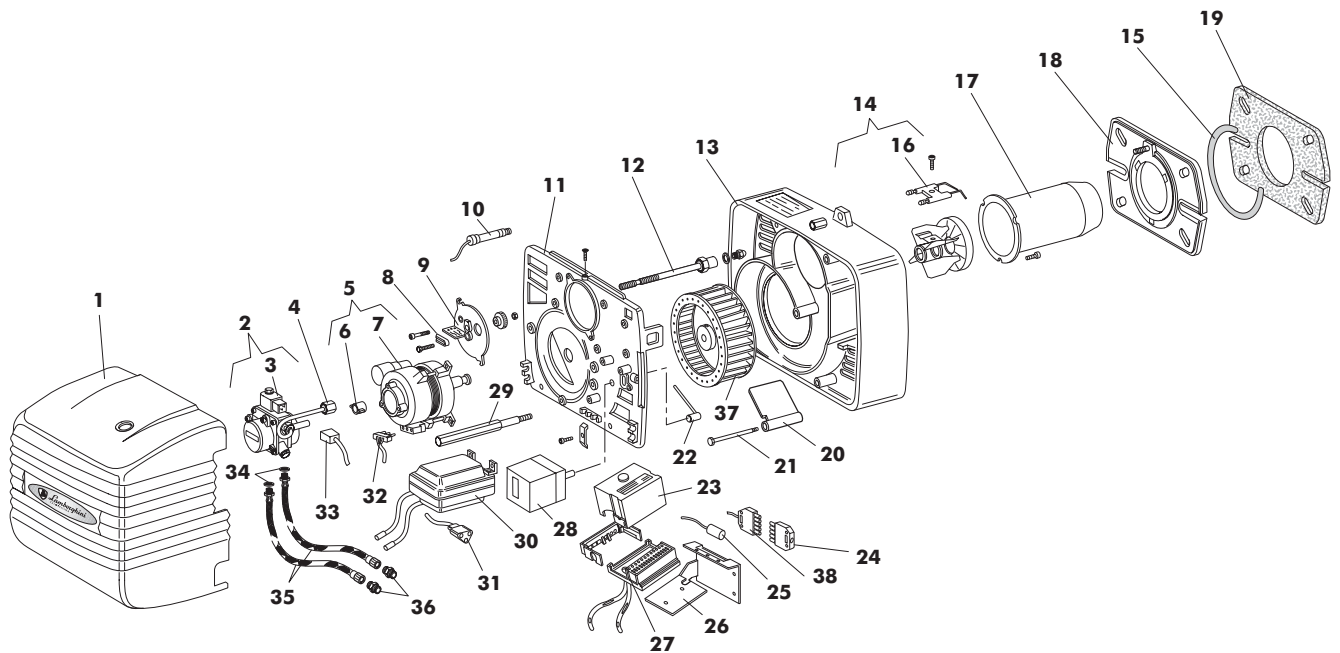


Поз.	Код	Наименование
1	1.08086.0	Кожух
2	4.01778.0	Насос AS
2	4.03304.0	Насос DANFOSS
3	4.03473.0	Катушка DANFOSS
4	1.08095.0	Труба нагнетания
4	1.08697.0	Трубка нагнетания
5	4.03513.0	Конденсатор
6	1.10088.0	Двигатель
7	1.07780.0	Указатель
8	1.08087.0	Фланец линии жиклера (ECO 7)
8	1.08579.0	Фланец линии жиклера (ECO 7-R)
9	4.01234.1	Фотоэлемент
10	1.08567.0	Узел суппорта жиклера (ECO 7)
11	4.01895.0	Нагреватель FPHB (ECO 7-R)
12	1.11006.0	Корпус горелки
13	1.07803.0	Шестеренка штифта заслонки
14	1.07804.0	Винт регулировки воздуха
15	4.03226.0	Отражатель с электродами
17	1.08099.0	Форсунка
18	1.08680.0	фланец крепления котла
19	1.08708.0	Изоляционная прокладка
20	1.08090.0	Заслонка
21	1.08091.0	Штифт заслонки

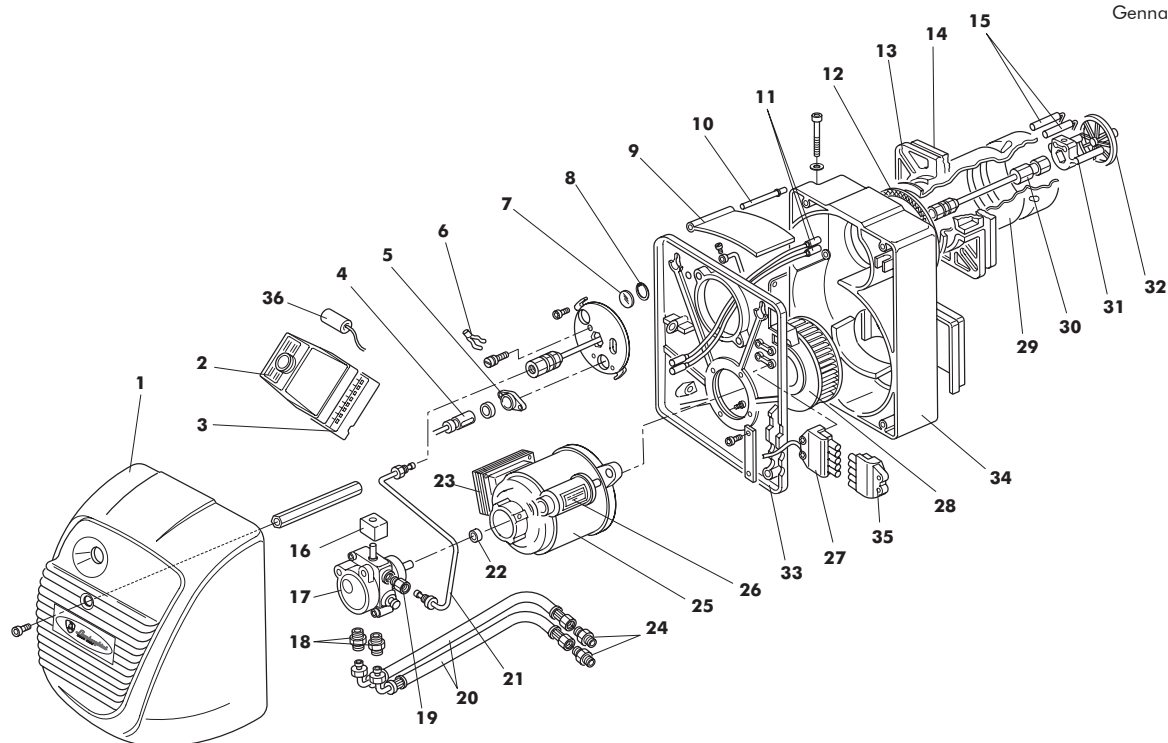
Поз.	Код	Наименование
22	4.03517.0	Вентилятор
23	1.08082.0	Монтажная плита
24	4.03422.0	Штепсель
25	4.03210.0	Штепсельный блок
26	4.03471.0	Фильтр FC
27	4.01551.0	Монтажная колодка
28	4.03523.0	Аппаратура LANDIS
29	4.03308.0	Транс. SCALDALAI с кроншт. (ECO 7)
29	4.03308.0	Трансф. SCALDALAI с кронштейном (ECO 7-R)
30	1.08068.0	Кабель со штепселем трансф. FIDA
31	1.08230.0	Кабель электрода 4/6
32	1.06962.0	Кабель со штепселем для двигателя
33	4.03514.0	Муфта AEG
34	1.06964.0	Кабель со штепселем для клапана
35	1.00129.0	Шайба 1/4"
36	1.06922.0	Шланг
37	1.00119.0	Ниппель 3/8" мм
38	4.70389.0	Кабель нагревателя
39	4.03107.0	Электроды
40	4.03195.0	фиксатор кабеля для AGK 66 для против. осн.
41	1.07797.0	Контргайка нагрев.
42	1.08106.0	Опора жиклера

**ECO7/2 Cod. 00840380**
**TAV. 425**

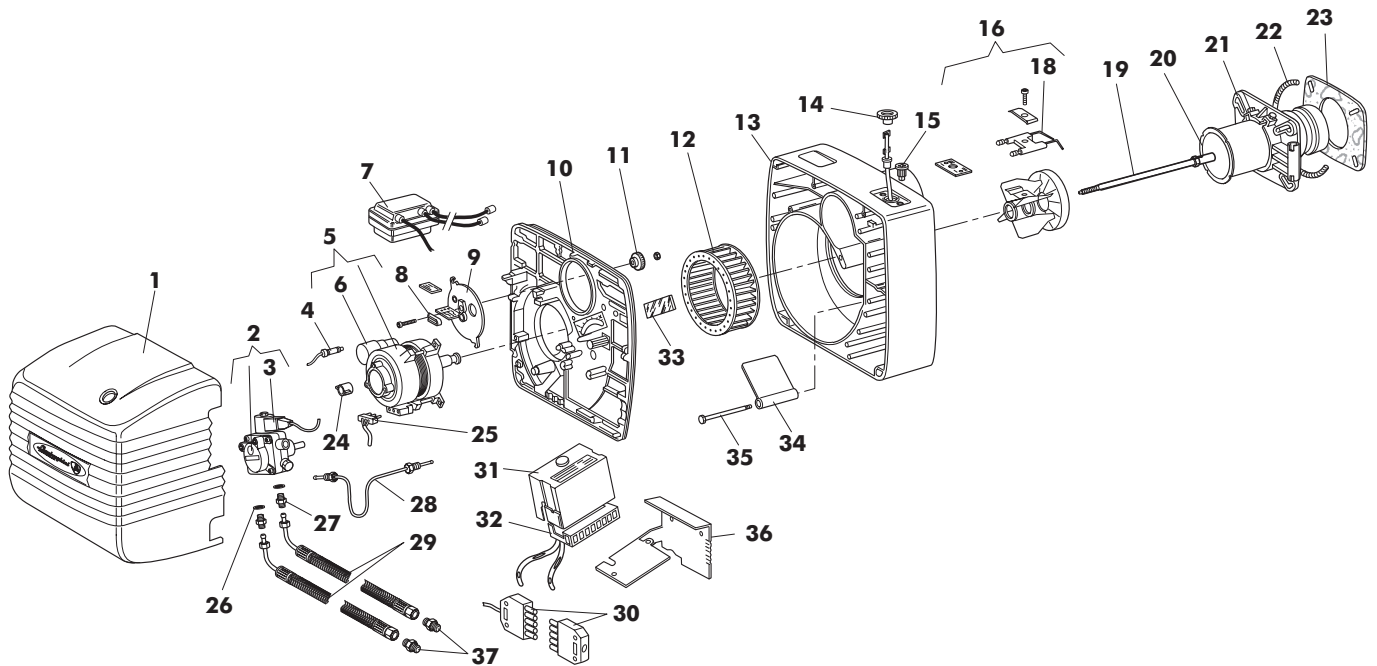
Luglio 2005



Pos.	Codice	Descrizione	Denomination	Denomination	Denominación
1	1.10039.0	Cofano	Cover	Capot	Tapa
2	4.03508.0	Pompa	Pump	Pompe	Bomba
3	4.01870.0	Bobina	Valve coil	Bobine électrovanne	Bobina electrovalvula
4	1.10072.0	Tubo mandata	Feeding tube	Ligne alimentation	Tubo alimentacion
5	1.08093.0	Motore	Motor	Moteur	Motor
6	4.03502.0	Giunto	Joint	Joint	Junta
7	4.03206.0	Condensatore 4 mF	Condensator 4 mF	Condensateur 4 mF	Condensador 4 mF
8	1.07780.0	Indice di riferimento	Reference index	Indèxe de référence	Indice de referencia
9	1.08087.0	Flangia linea gicleur	Nozzle line flange	Flange ligne gicleur	Brida linea inyector
10	4.01234.1	Fotoresistenza	Photocell	Photorésistance cellule	Fotoresistencia
11	1.12185.0	Piastra componenti	Components plate	Plaque composantes	Placa componentes
12	1.08567.0	G/supporto gicleur	G/nozzle holder set	G/support gicleur	G/linea inyector
13	1.11006.0	Corpo bruciatore	Burner body	Corps du brûleur	Cuerpo quemador
14	4.03226.0	G/deflettore-elettrodi	G/deflector-electrodes set	G/déflexeur-électrodes	G/deflector-electrodos
15	1.04632.0	Corda isolante	Insulating gasket	Joint isolant	Junta aislante
16	4.03107.0	Elettrodi	Electrodes	Electrodes	Electrodos
17	1.08099.0	Bocaglio	Draught tube	Tube embouchement	Boca de fuego
18	1.08680.0	Flangia attacco caldaia	Boiler connecting flange	Flange connexion chaudière	Brida de fijación a la caldera
19	1.08708.0	Guarnizione isolante	Insulating gasket	Joint isolant	Junta aislante
20	1.10036.0	Bandella atmosferica	Atmospheric air flap	Clapet d'air atmosphérique	Palomilla
21	1.10035.0	Perno bandella	Air flap pin	Pivot du clapet	Pernio palomilla
22	1.10037.0	Perno motorino-bandella	Motor-air flap pin	Pivot moteur-clapet d'air	Pernio motor-palomilla
23	4.03523.0	App. LANDIS	LANDIS control box	Coffret de sécurité LANDIS	Programador LANDIS
24	4.03210.0	Spina	Plug	Fiche	Enchufe
25	4.03471.0	Filtro antisturbo	Antijamming filter	Filtre antiparasite	Filtro antiparasitario
26	1.10041.0	Staffa apparecchiatura	Contr. Box/connect. Holder	Support coffret/connecteur	Soporte progr./conector
27	4.01551.0	Zoccolo apparecchiatura	Control box base	Base coffret	Base programador
28	4.03511.0	Mot.CONECTRON	CONECTRON motor	Moteur CONECTRON	Motor CONECTRON
29	1.11007.0	Perno fissaggio piastra	Plate pin	Pivot du plaque	Perno de placa
30	4.03308.0	Trasformatore	Transformer	Transformateur	Transformador
31	1.08068.0	Cavo trasformatore	Transformer cable	Cable du transformateur	Cable transformador
32	1.08761.0	Cavo motore	Motor cable	Cable du moteur	Cable motor
33	1.06964.0	Cavo valvola	Valve cable	Cable vanne	Cable electrovalvula
34	1.00129.0	Rondella 1/4"	1/4" washer	Rondelle 1/4"	Arandela 1/4"
35	1.06922.0	Flessibile l= 1000	Hose	Flexible	Flexible
36	1.00119.0	Nipplo MM 3/8"	3/8" nipple	Nipple 3/8"	Machon 3/8"
37	4.03229.0	Ventola D.127 x 50	D. 127 x 50 fan	Ventilateur D. 127 x 50	Turbina D. 127 x 50
38	4.03422.0	Presca	Socket	prise	Toma



Pos.	Cod.	Denominazione	Denomination	Denomination	Denominación
1	1.11010.0	Cofano	Cover	Capot	Tapa
2	4.04206.0	App. Landis tipo LMO 14	Control box	Coffret de sécurité	Programador
3	4.01551.0	Zoccolo	Base	Base	Base
4	4.03644.0	Fotoresistenza	Photocell	Photorésistance cellule	Fotoresistencia
5	4.03642.0	Supporto fotoresistenza	Photoresistor holder	Support photorésistance	Suporte fotoresistencia
6	1.11865.0	Molla raccordo mandata	Delivery coupling spring	Ressort du raccord départ	Muelle racor ida
7	1.11871.0	Vetrino ispezione	Inspection window	Viseur de flamme	Mirilla de inspección
8	3.00135.0	Anello seeger	Seeger	Seeger	Seeger
9	1.11853.0	Bandella aria	Air flap	Clapet d' air	Palomilla
10	1.12482.0	Perno bandella	Air flap shaft	Arbre clapet air	Arbol palomilla aire
11	1.11866.0	Cavo elettrodo accen.	Electrode cable	Cable èlectrode	Cable electrodo
12	1.11859.0	Guarnizione boccaglio	Draught tube gasket	Guelard joint	junta boca de fuego
13	1.11867.0	Flangia attacco caldaia	Boiler connect. flange	Flange connex. chaudière	Brida de fijación a la caldera
14	1.11858.0	Guarnizione isolante	Insulating gasket	Joint isolant	Junta aislante
15	4.04031.0	Elettrodo bifilare	Electrode	Electrode	Electrodo
16	4.01870.0	Bobina SUNTEC	Coil	Bobine	Bobine
	4.03473.0	Bobina DANFOSS	Coil	Bobine	Bobine
17	4.03648.0	Pompa SUNTEC	Pump	Pompe	Bomba
	4.04193.0	Pompa DANFOSS	Pump	Pompe	Bomba
18	1.05802.0	Nipplo 1/4"	Pump coupling 1/4"	Raccord pompe 1/4"	Racor bomba 1/4"
19	1.11875.0	Raccordo tubo mandata	Delivery tube coupling	Raccord conduit de départ	Racor tubo ida
20	1.06922.0	Flexibile	Hose	Flexible	Flexible
21	1.11864.0	Tubo mandata	Feeding tube	Ligne alimentation	Tubo alimentacion
22	4.03646.0	Giunto motore	Joint motor	Joint du moteur	Junta motor
23	4.03645.0	Trasformatore	Transformer	Transformateur	Transformador
24	1.00119.0	Nipplo 3/8"	Flex coupling 3/8"	Raccord flexible 3/8"	Racor flexible 3/8"
25	1.11857.0	Motore	Motor	Moteur	Motor
26	4.03513.0	Condensatore	Condensor	Condensateur	Condensador
27	4.03422.0	Presca	Socket	Prise	Toma
28	4.03636.0	Ventola	Fan	Ventilateur	Turbina
29	1.11860.0	Boccaglio	Draught tube	Guelard	Boca de fuego
30	1.11874.0	Supporto gicleur	Nozzle holder	Support gicleur	Linea inyector
31	1.11876.0	Supporto elettrodi	Electrodes holder	Support électrodes	Soporte electrodos
32	1.11861.0	Disco deflettore	Deflector	Deflector	Deflector
33	1.12312.0	Coperchio coclea	Cochlear cover	Couverture cochéaire	Cubierta coclear
34	1.12481.0	Corpo bruciatore	Burner body	Corps du brûleur	Cuerpo quemador
35	4.03210.0	Spina	Plug	Fiche	Enchufe
36	4.04116.0	Filtro antisturbo	Antijamming filter	Filtre antiparasite	Filtro antiparasitario



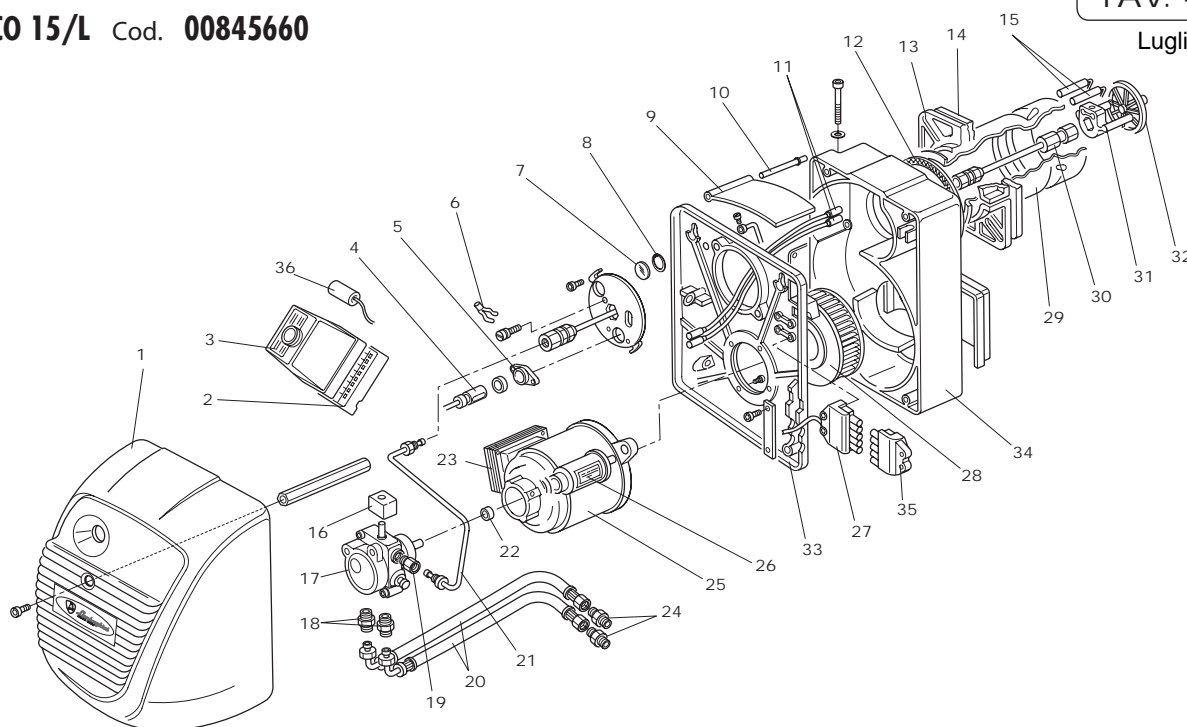
Pos.	Cod.	Denominazione	Denomination	Denomination	Denominación
1	1.08862.0	Cofano	Cover	Capot	Tapa
2	4.01778.0	Pompa	Pump	Pompe	Bomba
3	4.01870.0	Bobina	Valve coil	Bobine électrovane	Bobina electrovalvula
4	4.01234.1	Fotoresistenza	Photocell	Photorésistance cellule	Fotoresistencia
5	1.10958.0	Motore 150 W	Motor 150 W	Moteur 150 W	Motor 150 W
6	4.03513.0	Condensatore	Condensator	Condensateur	Condensador
7	4.03335.0	Trasformatore	Transformer	Transformateur	Transformador
8	1.07780.0	Indice di riferimento	Reference index	Indéxe de référence	Indice de referencia
9	1.08890.0	Flangia linea gicleur	Nozzle line flange	Flange ligne gicleur	Bride linea inyector
10	1.11111.0	Piastra componenti	Components plate	Plaque composantes	Placa componentes
11	1.07787.0	Ingranaggio	Gear	Engrenage	Engranaje
12	4.03347.0	Ventola ø 145 x 60	Fan ø 145 x 60	Ventilateur ø 145 x 60	Turbina ø 145 x 60
13	1.08859.0	Corpo bruciatore	Burner body	Corps du brûleur	Cuerpo quemador
14	1.07803.0	Pignone perno	Pin pinion	Pignot pivot	Piñon pernio
15	1.07804.0	Vite regolazione aria	Air adjustment screw	Vis réglage air	Tornillos de regulaciòn aire
16	4.03364.0	G/deflettore elettrodi	G/deflector-electrodes set	G/déflexeur-électrodes	G/deflector-electrodos
18	4.03107.0	Elettrodi	Electrodes	Électrodes	Electrodos
19	1.08889.0	Supporto gicleur	Nozzle holder	Support gicleur	Linea inyector
20	1.08868.0	Boccaglio	Draught tube	Tube embouchement	Boca de fuego
21	1.08863.0	Flangia attacco caldaia	Boiler connecting flange	Flange connex. chaudière	Brida de fijac. a la caldera
22	1.08953.0	Corda isolante	Insulating rope	Corde isolantes	Cuerda aislador
23	1.08952.0	Guarnizione isolante	Insulating gasket	Joint isolant	Junta aislante
24	4.03514.0	Giunto	Joint	Joint	Junta
25	1.06962.0	Cavo spina motore	Motor cable	Cable du moteur	Cable motor
26	1.00129.0	Rondella 1/4"	Washer 1/4"	Rondelle 1/4"	Arandela 1/4"
27	1.05802.0	Nipplo 1/4"	Nipple 1/4"	Nipple 1/4"	Machon 1/4"
28	1.08887.0	Tubo mandata	Feeding tube	Ligne alimentation	Tubo alimentacion
29	1.06922.0	Flessibile	Hose	Flexible	Flexible
30	1.08228.0	G/presa spina	G/connector	G/connecteur	G/conector multiple
31	4.03523.0	Apparecchiatura LOA 24	LOA 24 control box	Coffret de sécurité LOA 24	Programador LOA 24
32	4.01551.0	Base apparecchiatura	LOA 24 control box base	Base coffret LOA 24	Base LOA 24
33	1.08951.0	Vetrino ispezione bandella	Glass	Vojant	Vidrio
34	1.08879.0	Bandella atmosferica	Air flap	Clapet d'air	Palomilla
35	1.08886.0	Perno bandella	Air flap pinion	Pivot clapet d'air	Piñon palomilla
36	1.07786.0	Staffa apparecchiatura	Control box holder	Support coffret	Soporte programador
37	1.00119.0	Nipplo 3/8"	Nipple 3/8"	Nipple 3/8"	Machon 3/8"





**ECO 15** Cod. **00841283**
**ECO 15/L** Cod. **00845660**
**TAV. 401 - 3**

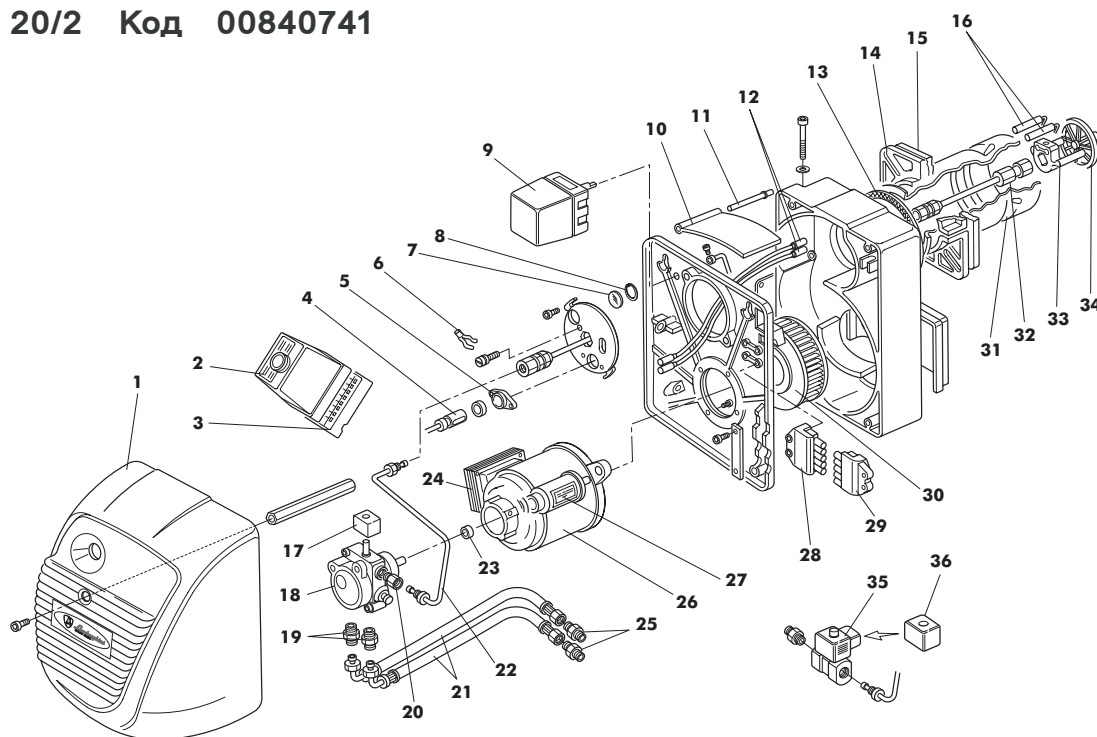
Luglio 2010



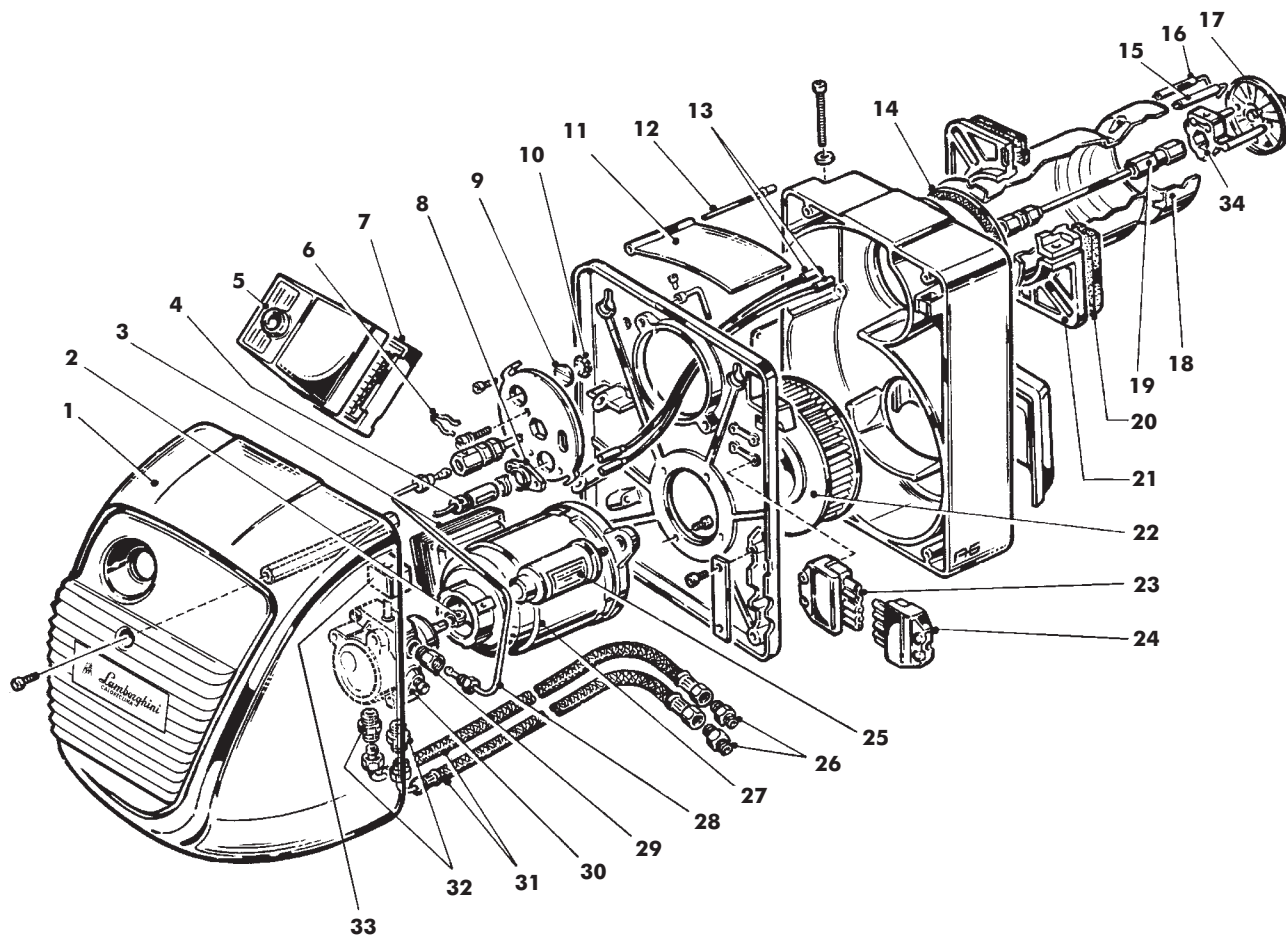
Pos.	Cod.	Denominazione	Denomination	Denomination	Denominación
1	1.13775.0	Cofano	Cover	Capot	Tapa
2	4.04206.0	App.Landis LMO 14	Control box	Coffret de sécurité	Programador
3	4.01551.0	Zoccolo	Base	Base	Base
4	4.03644.0	Fotoresistenza	Photocell	Photorésistance cellule	Fotoresistencia
5	4.03642.0	Supporto fotoresistenza	Photoresistor holder	Support photorésistance	Suporte fotoresistencia
6	1.11865.0	Molla raccordo mandata	Delivery coupling spring	Ressort du raccord départ	Muelle racor ida
7	1.11871.0	Vetrino ispezione	Ispection window	Viseur de flamme	Mirilla de inspección
8	3.00135.0	Anello seeger	Seeger	Seeger	Seeger
9	1.11893.0	Bandella aria	Air flap	Clapet d' air	Palomilla
10	1.12283.0	Perno bandella	Air flap shaft	Arbre clapet air	Arbol palomilla aire
11	1.13760.0	Cavo elettrodo accensione	Electrode cable	Cable èlectrode	Cable electrodo
12	1.11887.0	Guarnizione boccaglio	Draught tube gasket	Guelard joint	junta boca de fuego
13	1.11880.0	Flangia attacco caldaia	Boiler connect. flange	Flange connex. chaudière	Brida de fijación a la caldera
14	1.11881.0	Guarnizione isolante	Insulating gasket	Joint isolant	Junta aislante
15	4.04031.0	Elettrodi	Electrodes	Electrodes	Electrodos
16	4.01870.0	Bobina SUNTEC	Coil	Bobine	Bobine
	4.03473.0	Bobina DANFOSS	Coil	Bobine	Bobine
17	4.03648.0	Pompa SUNTEC	Pump	Pompe	Bomba
	4.04193.0	Pompa DANFOSS	Pump	Pompe	Bomba
18	1.05802.0	Niplo 1/4"	Pump coupling 1/4"	Raccord pompe 1/4"	Racor bomba 1/4"
19	1.11875.0	Raccordo tubo mandata	Delivery tube coupling	Raccord conduit de départ	Racor tubo ida
20	1.06922.0	Flessibile	Hose	Flexible	Flexible
21	1.11894.0	Tubo mandata	Feeding tube	Ligne alimentation	Tubo alimentacion
22	4.03646.0	Giunto motore (ACC)	Joint motor (ACC)	Joint du moteur (ACC)	Junta motor (ACC)
	4.04183.0	Giunto motore (SIMEL)	Joint motor (SIMEL)	Joint du moteur (SIMEL)	Junta motor (SIMEL)
23	4.04416.0	Trasformatore	Transformer	Transformateur	Transformador
24	1.00119.0	Niplo 3/8"	Flex coupling 3/8"	Raccord flexible 3/8"	Racor flexible 3/8"
25	1.11895.0	Motore 185 W (ACC)	Motor (ACC)	Moteur (ACC)	Motor (ACC)
	1.13686.0	Motore 185 W (SIMEL)	Motor (SIMEL)	Moteur (SIMEL)	Motor (SIMEL)
26	4.04231.0	Condensatore (ACC)	Condensator (ACC)	Condensateur (ACC)	Condensador (ACC)
	4.04186.0	Condensatore (SIMEL)	Condensator (SIMEL)	Condensateur (SIMEL)	Condensador (SIMEL)
27	4.03422.0	Presca	Socket	Prise	Toma
28	4.03713.0	Ventola	Fan	Ventilateur	Turbina
29	1.11898.0	Boccaglio	Draught tube	Guelard	Boca de fuego
	1.11914.0	Boccaglio (ECO 15/L)	Draught tube (ECO 15/L)	Guelard (ECO 15/L)	Boca de fuego (ECO 15/L)
30	1.11897.0	Supporto gicleur	Nozzle holder	Support gicleur	Linea inyector
	1.11915.0	Supporto gicleur (ECO 15/L)	Nozzle holder (ECO 15/L)	Support gicleur (ECO 15/L)	Linea inyector (ECO 15/L)
31	1.11876.0	Supporto elettrodi	Electrodes holder	Support électrodes	Soporte electrodos
32	1.11888.0	Disco deflettore	Deflector	Deflector	Deflector
33	1.12049.0	Piastra componenti	Components' plate	Plaque composantes	Placa componentes
34	1.12286.0	Corpo bruciatore	Burner body	Corps du brûleur	Cuerpo quemador
35	4.03210.0	Spina	Plug	Fiche	Enchufe
36	4.04116.0	Filtro antidisturbo	Antijamming filter	Filtre antiparasite	Filtro antiparasitario

ECO 15/2 Код 00841291  
 ECO 20/2 Код 00840741

ГОРЕЛКИ  
 ТАБЛ. 402



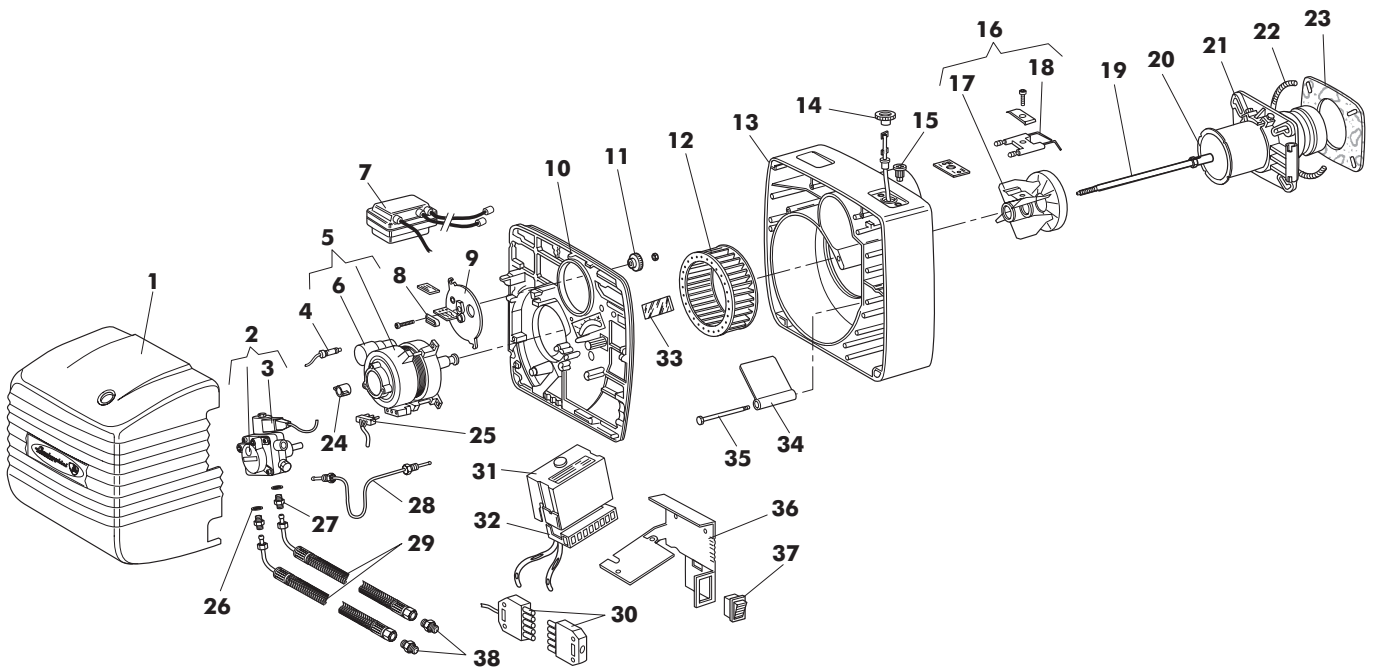
Поз.	Код	Описание	Поз.	Код	Описание
1	1.11057.0	Защитный кожух	19	1.05802.0	Ниппель ММ 1/4"
2	4.03523.0	Электронный блок Landis типа LOA 24	20	1.11875.0	Патрубок топливной трубки
3	4.01551.0	Электрический разъём AGK11 LOA и LGB	21	1.06922.0	Гибкий шланг
4	4.03644.0	Фоторезистор QRB1A	22	1.11912.0	Топливная трубка
5	4.03642.0	Держатель фоторезистора	23	4.03646.0	Втулка двигателя
6	1.11865.0	Пружина подающего патрубка	24	4.03716.0	Трансформатор 10 КВ - 30 МА
7	1.11871.0	Смотровое стекло	25	1.00119.0	Ниппель ММ 3/8"
8	3.00125.0	Кольцо seeger	26	1.11895.0	Двигатель 185 Вт
9	8.01899.0	Блок редуктора двигателя + электроразъём	27	4.03801.0	Конденсатор
10	1.11893.0	Воздушная заслонка	28	4.03422.0	7-штырьковый разъём
11	1.11892.0	Палец воздушной заслонки	29	4.03210.0	7-штырьковый разъём
12	1.11918.0	Провод электрода зажигания	30	4.03713.0	Вентиль Ш 133
13	1.11887.0	Прокладка стакана	31	1.11914.0	Стакан ECO 15/2
14	1.11880.0	Соединительный фланец котла		1.11921.0	Стакан ECO 20/2
15	1.11881.0	Изолирующая прокладка	32	1.11915.0	Держатель жиклёра
16	4.04031.0	Электрод	33	1.11876.0	Электрододержавка
17	4.01870.0	Катушка SUNTEC	34	1.11888.0	Завихритель
18	4.03879.0	Насос SUNTEC	35	4.03669.0	Электроразъём PARKER VE 131 AN
			36	4.03761.0	Катушка


**Поз. Код Наименование**

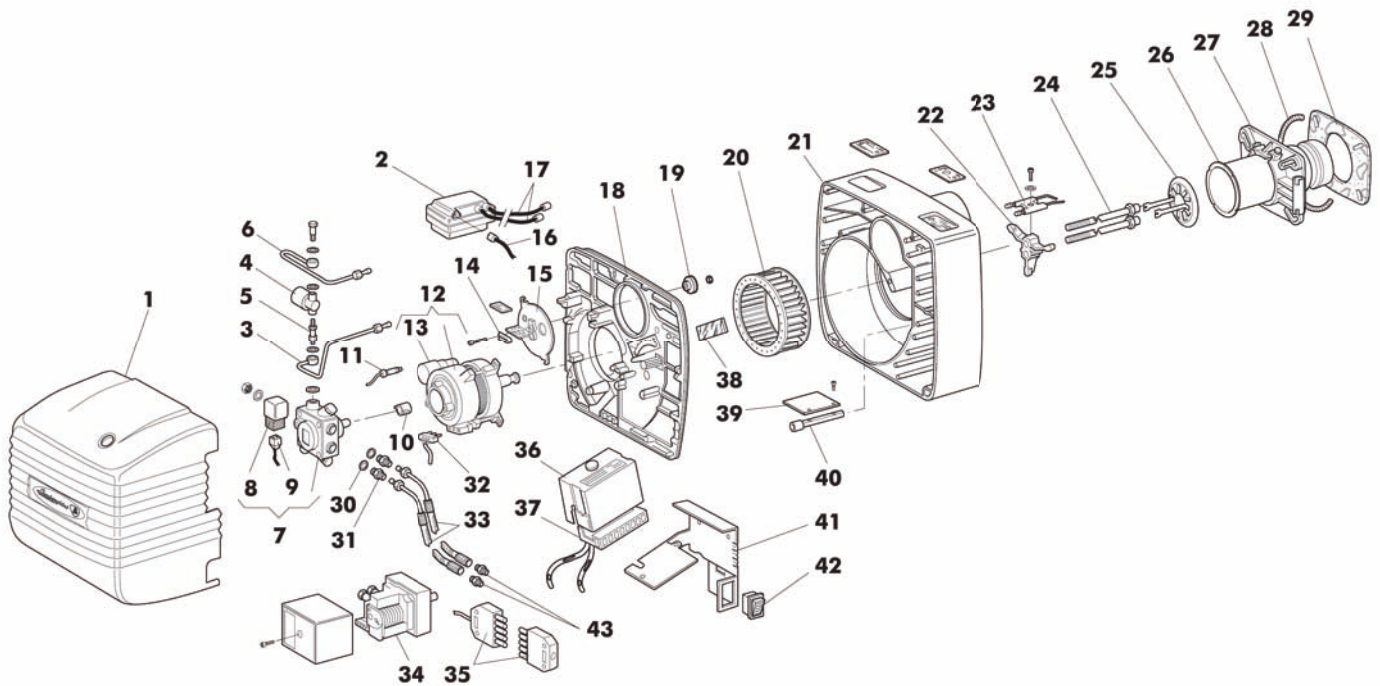
1	1.11010.0	Кожух (ECO 10)
	1.11057.0	Кожух (ECO 20)
2	4.03646.0	Муфта двигателя
3	4.03645.0	Трансформатор 8 кВ-20 мА
	4.03716.0	Трансформатор 10 KV-30 МА
4	4.03644.0	Фотоэлемент QRB1A
5	4.03523.0	Аппар. LANDIS тип LOA 24
6	4.03643.0	Пружина патрубкa подачи
7	4.01551.0	Колодка AGK11 для LOA и LGB
8	4.03642.0	Опора фотоэлемента
9	4.03640.0	Смотровое окно
10	4.03641.0	Пружинная шайба
11	4.03638.0	Воздушная заслонка (ECO 10)
	4.03715.0	Воздушная заслонка (ECO 20)
12	4.03637.0	Штифт заслонки (ECO 10)
	4.03714.0	Штифт заслонки (ECO 20)
13	4.03639.0	Кабель электрода зажигания
14	4.03635.0	Прокладка форсунки D.114
15	4.03630.0	Правый электрод
16	4.03631.0	Левый электрод
17	4.03629.0	Отражатель
18	4.03628.0	Форсунка (ECO 10)
	4.03712.0	Форсунка (ECO 20)

**Поз. Код Наименование**

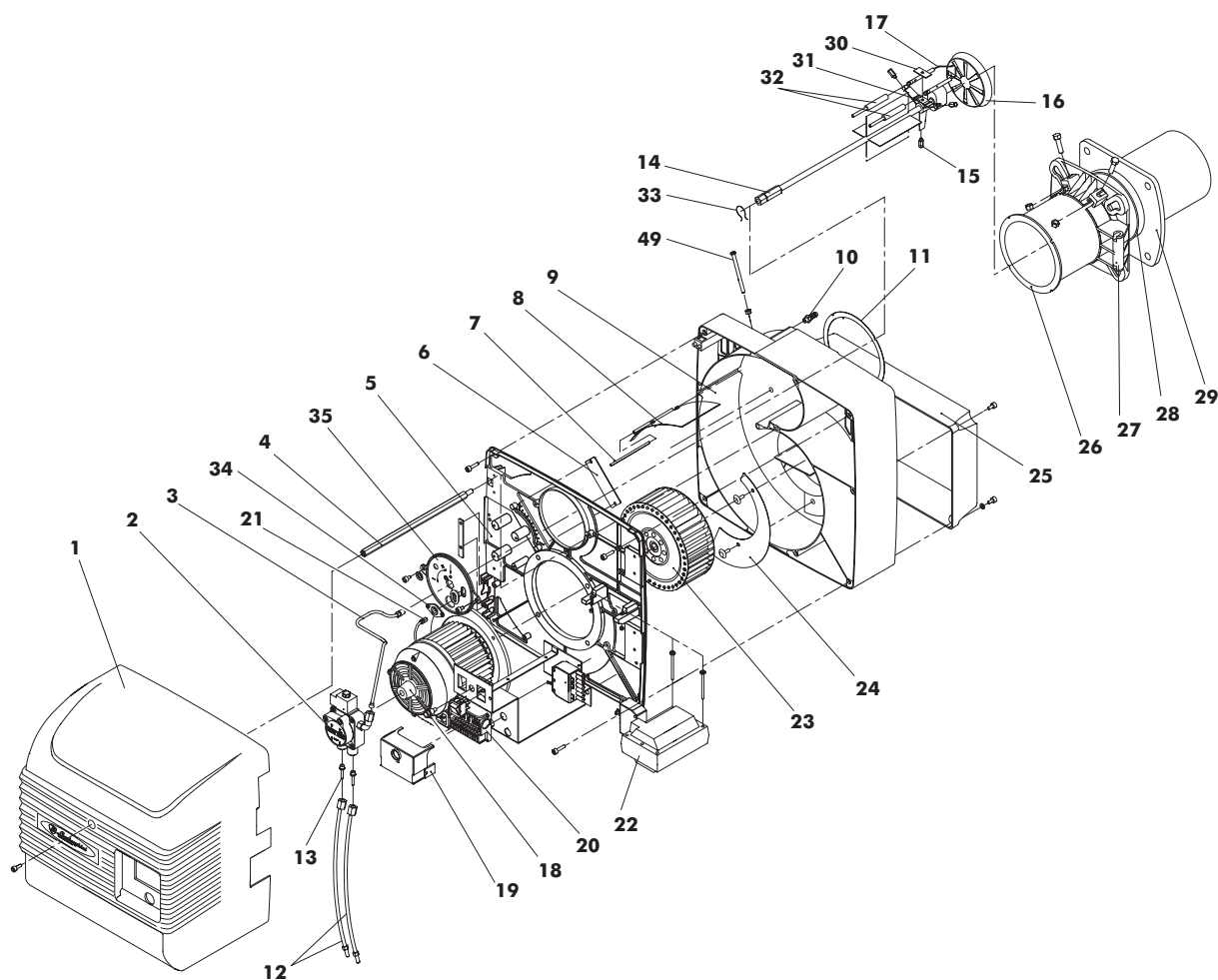
19	4.03654.0	Суппорт жиклера
20	4.03632.0	Изоляционная прокладка
21	4.03633.0	Фланец крепления котла
22	4.03636.0	Вентилятор D. 133 (ECO 10)
	4.03713.0	Вентилятор D. 160 (ECO 20)
23	4.03422.0	Розетка 7 полюсов
24	4.03210.0	Штепсель 7 полюсов
25	4.03513.0	Конденсатор 4uFAEG (ECO 10)
	4.03801.0	Конденсатор 5uFAEG (ECO 20)
26	4.03653.0	Шланговый штуцер 1/4"-3/8"
27	4.03647.0	Двигатель 95 Вт (ECO 10)
	4.03717.0	Двигатель 185 Вт (ECO 20)
28	4.03649.0	Труба нагнетания (ECO 10)
	4.03718.0	Труба нагнетания (ECO 20)
29	4.03650.0	Штуцер трубы нагнетания
30	4.03648.0	Насос SUNTEC AS47C
31	4.03651.0	Шланг
32	4.03652.0	Штуцер насоса 1/4"
33	4.01870.0	Катушка
34	4.03634.0	Держатель электродов



Pos.	Cod.	Denominazione	Denomination	Denomination	Denominación
1	1.09063.0	Cofano	Cover	Capot	Tapa
2	4.01778.0	Pompa	Pump	Pompe	Bomba
3	4.01870.0	Bobina	Valve coil	Bobine électrovane	Bobina electrovalvula
4	4.01234.1	Fotoresistenza	Photocell	Photorésistance cellule	Fotoresistencia
5	1.10961.0	Motore 250 W	Motor 250 W	Moteur 250 W	Motor 250 W
6	4.03615.0	Condensatore	Condensor	Condensateur	Condensador
7	4.03335.0	Trasformatore	Transformer	Transformateur	Transformador
8	1.07780.0	Indice di riferimento	Reference index	Indéxe de référence	Indice de referencia
9	1.08695.0	Flangia linea gicleur	Nozzle line flange	Flange ligne gicleur	Brida linea inyector
10	1.11112.0	Piastra componenti	Components plate	Plaque composants	Placa componentes
11	1.07787.0	Ingranaggio	Gear	Engrenage	Engranaje
12	4.03309.0	Ventola ø 160 x 75	Fan ø 160 x 75	Ventilateur ø 160 x 75	Turbina ø 160 x 75
13	1.08699.0	Corpo bruciatore	Burner body	Corps du brûleur	Cuerpo quemador
14	1.07803.0	Pignone perno	Pin pinion	Pignon pivot	Piñon pernio
15	1.07804.0	Vite regolazione aria	Air adjustment screw	Vis réglage air	Tornillos de regulaciòn aire
16	4.03321.0	G/deflettore elettrodi	G/deflector-electrodes set	G/déflexeur-électrodes	G/deflector-electrodos
18	4.03107.0	Elettrodi	Electrodes	Électrodes	Electrodos
19	1.08701.0	Supporto gicleur	Nozzle holder	Support gicleur	Linea inyector
20	1.08696.0	Boccaglio	Draught tube	Tube embouchement	Boca de fuego
21	1.08755.0	Flangia attacco caldaia	Boiler connecting flange	Flange connex. chaudière	Brida de fijac. a la caldera
22	1.08757.0	Corda isolante	Insulating rope	Corde isolantes	Cuerda aislador
23	1.08756.0	Guarnizione isolante	Insulating gasket	Joint isolant	Junta aislante
24	4.03514.0	Giunto	Joint	Joint	Junta
25	1.08761.0	Cavo spina motore	Motor cable	Cable du moteur	Cable motor
26	1.00129.0	Rondella 1/4"	Washer 1/4"	Rondelle 1/4"	Arandela 1/4"
27	1.05802.0	Nipplo 1/4"	Nipple 1/4"	Nipple 1/4"	Machon 1/4"
28	1.08710.0	Tubo mandata	Feeding tube	Ligne alimentation	Tubo alimentacion
29	1.06922.0	Flessibile	Hose	Flexible	Flexible
30	1.08758.0	G/presa spina	G/connector	G/connecteur	G/conector multiple
31	4.03523.0	Apparecchiatura LOA 24	LOA 24 control box	Coffret de sécuritè LOA 24	Programador LOA 24
32	4.01551.0	Base apparecchiatura	LOA 24 control box base	Base coffret LOA 24	Base LOA 24
33	1.08747.0	Vetrino ispezione bandella	Glass	Vojant	Vidrio
34	1.08720.0	Bandella atmosferica	Air flap	Clapet d'air	Palomilla
35	1.08725.0	Perno bandella	Air flap pinion	Pivot clapet d'air	Piñon palomilla
36	1.09062.0	Staffa apparecchiatura	Control box holder	Support coffret	Soporte programador
37	4.03386.0	Interruttore	Switch	Interrupteur	Interruptor
38	1.00119.0	Nipplo 3/8"	Nipple 3/8"	Nipple 3/8"	Machon 3/8"



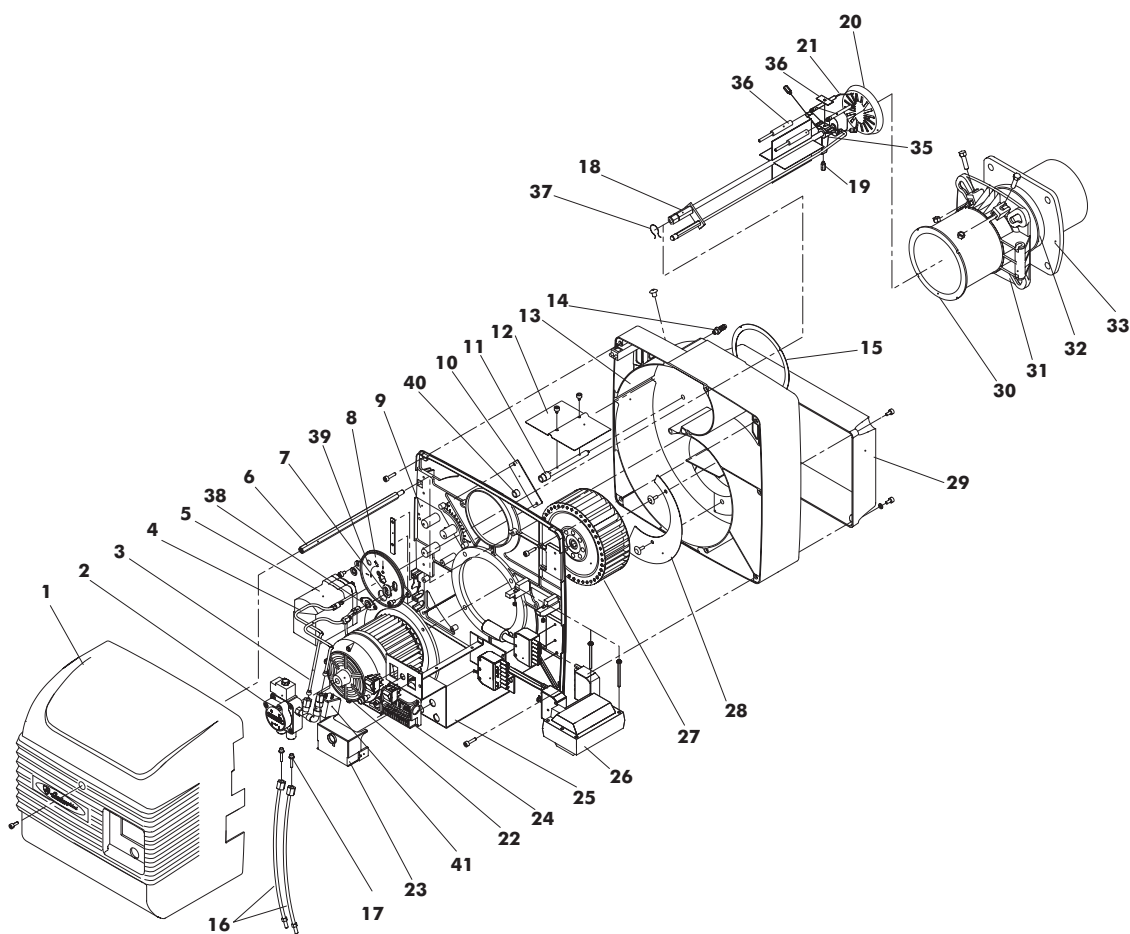
Pos.	Cod.	Denominazione	Denomination	Denomination	Denominación
1	1.10656.0	Cofano	Cover	Capot	Tapa
2	4.03343.0	Trasformatore	Transformer	Transformateur	Transformador
3	1.08788.0	Tubo mandata	Feeding tube	Ligne alimentation	Tubo alimentacion
4	4.03338.0	V.E. Brahma	Main valve	Electrovanne	Electrovalvula
5	1.05943.0	Raccordo 1/8"	Nipple 1/8"	Nipple 1/8"	Machon 1/8"
6	1.08789.0	Tubo mandata	Feeding tube	Ligne alimentation	Tubo alimentacion
7	4.03337.0	Pompa	Pump	Pompe	Bomba
8	4.01870.0	Bobina	Valve coil	Bobine électrovane	Bobina electrovalvula
9	1.06964.0	Cavo spina valvola	Valve cable	Cable vanne	Cable electrovalvula
10	4.03514.0	Giunto	Joint	Joint	Junta
11	4.01234.1	Fotoresistenza	Photocell	Photorésistance cellule	Fotoresistencia
12	1.10961.0	Motore 250W	Motor 250 W	Moteur 250 W	Motor 250 W
13	4.03615.0	Condensatore	Condensator	Condensateur	Condensador
14	1.07780.0	Indice di riferimento	Reference index	Indéxe de référence	Indice de referencia
15	1.08726.0	Flangia linea gicleur	Nozzle line flange	Flange ligne gicleur	Bride linea inyector
16	1.08068.0	Cavo spina trasformatore	Transformer cable	Cable du transformateur	Cable transformador
17	1.08545.0	Cavo elettrodi	Electrode cable	Cable électrode	Cable electrodo
18	1.08798.0	Piastra componenti	Components plate	Plaque composantes	Placa componentes
19	1.07787.0	Ingranaggio	Gear	Engrenage	Engranaje
20	4.03309.0	Ventola ø 160 x 75	Fan ø 160 X 75	Ventilateur ø 160 X 75	Turbina ø 160 X 75
21	1.08699.0	Corpo bruciatore	Burner body	Corps du brûleur	Corpo quemador
22	1.08790.0	Supporto elettrodi	Electrodes holder	Support électrodes	Linea electrodos
23	4.03336.0	G/elettrodi	G/electrodes	G/électrodes	G/electrodos
24	1.10313.0	Supporto gicleur	Nozzle holder	Support gicleur	Linea inyector
25	1.08791.0	G/deflettore	G/deflector	G/déflexeur	G/deflector
26	1.10311.0	Boccaglio	Draught tube	Tube embouchement	Boca de fuego
27	1.08755.0	Flangia attacco caldaia	Boiler connecting flange	Flange connex. chaudière	Brida de fijac. a la caldera
28	1.08757.0	Corda isolante	Insulating rope	Corde isolantes	Cuerda aislador
29	1.08756.0	Guarnizione isolante	Insulating gasket	Joint isolant	Junta aislante
30	1.00129.0	Rondella 1/4"	Washer 1/4"	Rondelle 1/4"	Arandela 1/4"
31	1.05802.0	Nipplo 1/4"	Nipple 1/4"	Nipple 1/4"	Machon 1/4"
32	1.08761.0	Cavo spina motore	Motor cable	Cable du moteur	Cable motor
33	1.06922.0	Flessibile l = 1000	Hose l = 1000	Flexible l = 1000	Flexible l = 1000
34	4.03340.0	Servocomando	Servo-control	Servomoteur air	Servomando aire
35	4.03210.0	G/presa spine	G/connecter	G/connecteur	G/conector multiple
36	4.03523.0	Apparecchiatura LOA 24	LOA 24 control box	Coffret de sécurité LOA 24	Programador LOA 24
37	4.01551.0	Base apparecchiatura	LOA 24 control box base	Base coffret LOA 24	Base LOA 24
38	1.08747.0	Vetrino ispezione bandella	Glass	Vojant	Vidrio
39	1.08709.0	Bandella aria	Air flap	Clapet d'air	Palomilla
40	1.08727.0	Albero bandella	Air flap pinion	Pivot clapet d'air	Piñon palomilla
41	1.09062.0	Staffa apparecchiatura	Control box holder	Support coffret	Soporte programador
42	4.03386.0	Interruttore	Switch	Interrupteur	Interruptor
43	1.00119.0	Nipplo 3/8"	Nipple 3/8"	Nipple 3/8"	Machon 3/8"


**Поз. Код Наименование**

1	1.11077.0	Кожух
2	4.03271.0	Насос
3	4.03743.0	Труба нагнетания
4	4.03746.0	Крепежная распорка кожуха
5	4.03735.0	Крышка для улитки
6	4.03749.0	Стекло
7	4.03738.0	Штифт
8	4.03737.0	Дроссель регулировки воздуха
9	4.03759.0	Воздушная улитка
10	4.03758.0	Патрубок воздухозабора
11	4.03754.0	Уплотнение ствола
12	4.03745.0	Шланг
13	4.03744.0	Шланговый штуцер
14	1.08849.0	Суппорт жиклера
15	1.01679.0	Распорка
16	1.01680.0	Отражатель
17	4.01028.0	Электрод зажигания

**Поз. Код Наименование**

18	4.03741.0	Двигатель
19	4.03523.0	Аппар. LANDIS тип LOA 24
20	4.01551.0	Опора аппаратуры
21	4.03742.0	Фотоэлемент
22	4.03270.0	Трансформатор
23	4.03751.0	Вентилятор
24	4.03750.0	Герметизирующий сектор
25	1.08542.0	Воздушная крышка
26	1.08847.0	Форсунка
27	1.01464.2	Фланец с шарниром
28	1.06593.0	Изоляционный шнур
29	1.01466.3	Изоляционная прокладка
30	1.06371.0	Кронштейн электродов
31	1.08674.0	Держатель электродов
32	4.03760.0	Кабель ионизации
33	4.03643.0	Пружина патрубка подачи
34	4.03642.0	Держатель фотоэлемента
35	4.03640.0	Смотровое окно

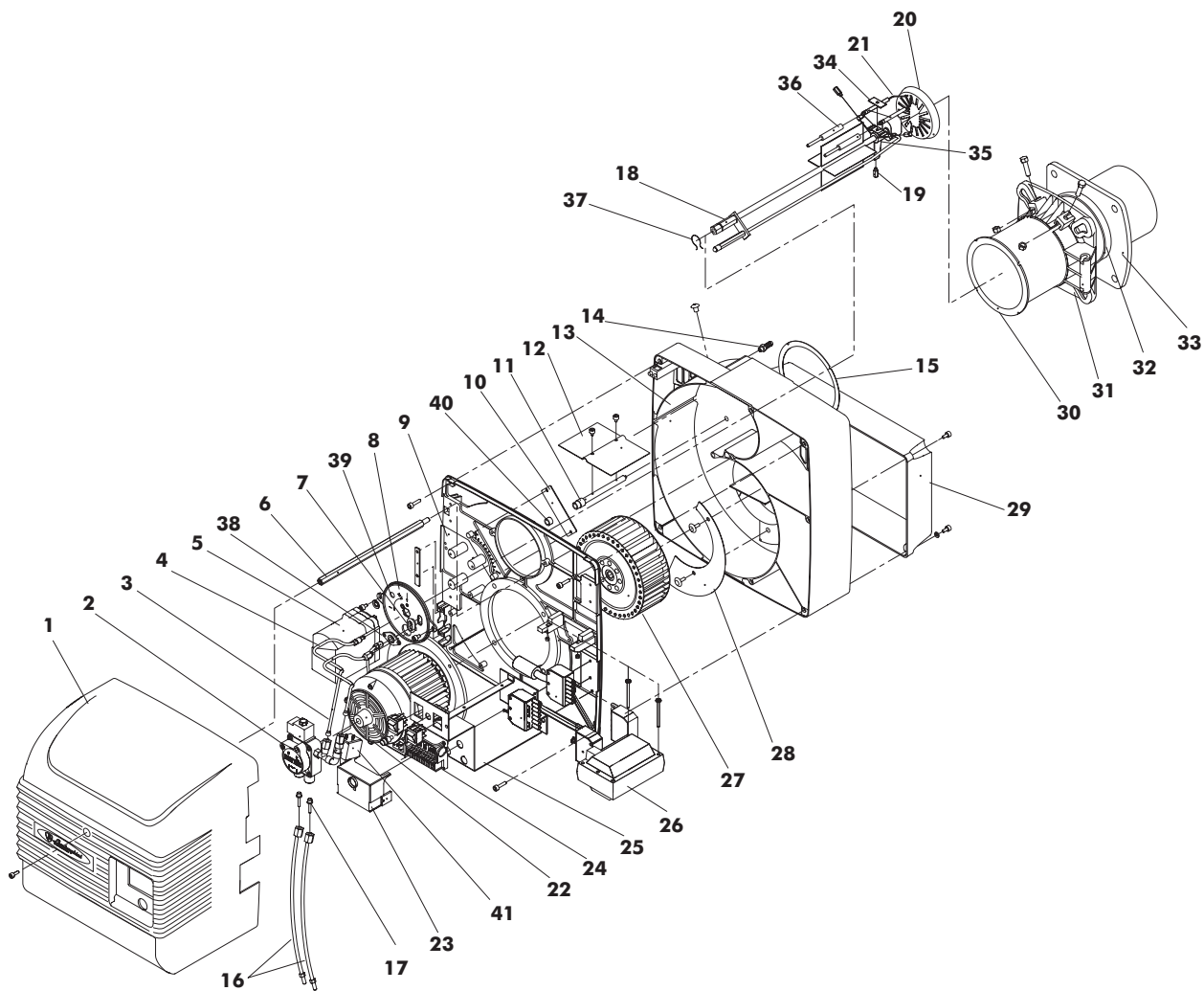


Поз.	Код	Наименование
------	-----	--------------

1	1.11084.0	Кожух
2	4.03300.0	Насос
3	4.03764.0	Труба нагнетания 1-ой ступени
4	4.03765.0	Труба нагнетания 2-ой ступени
5	4.03763.0	Моторедуктор
6	4.03746.0	Крепежная распорка кожуха
7	4.03667.0	Кабельная втулка
8	4.03762.0	Узел фланца-держателя сопел
9	4.03735.0	Крышка для улитки
10	4.03749.0	Окно
11	4.03752.0	Штифт
12	4.03753.0	Дроссель регулировки воздуха
13	4.03759.0	Воздушная улитка
14	4.03758.0	Патрубок воздухозабора
15	4.03754.0	Уплотнение ствола
16	4.03745.0	Шланг
17	4.03744.0	Шланговый штуцер
18	1.10310.0	Суппорт жиклера
19	1.01679.0	Распорка
20	1.08508.0	Отражатель
21	4.01028.0	Электрод зажигания\

Поз.	Код	Наименование
------	-----	--------------

22	4.03741.0	Двигатель
23	4.03523.0	Аппар. LANDIS тип LOA 24
24	4.01551.0	Опора аппаратуры
25	4.03757.0	Пластина электрощита
26	4.03270.0	Трансформатор
27	4.03751.0	Вентилятор
28	4.03750.0	Герметизирующий сектор
29	1.08542.0	Воздушная крышка
30	1.10307.0	Форсунка
31	1.01464.2	Фланец с шарниром
32	1.06593.0	Изоляционный шнур
33	1.01466.3	Изоляционная прокладка
	1.06371.0	Кронштейн электродов
35	1.08674.0	Держатель электродов
36	4.03760.0	Кабель ионизации
37	4.03643.0	Пружина патрубка подачи
35	4.03642.0	Держатель фотоэлемента
39	4.03640.0	Смотровое окно
40	4.03766.0	Муфта
41	4.03669.0	Электроклапан



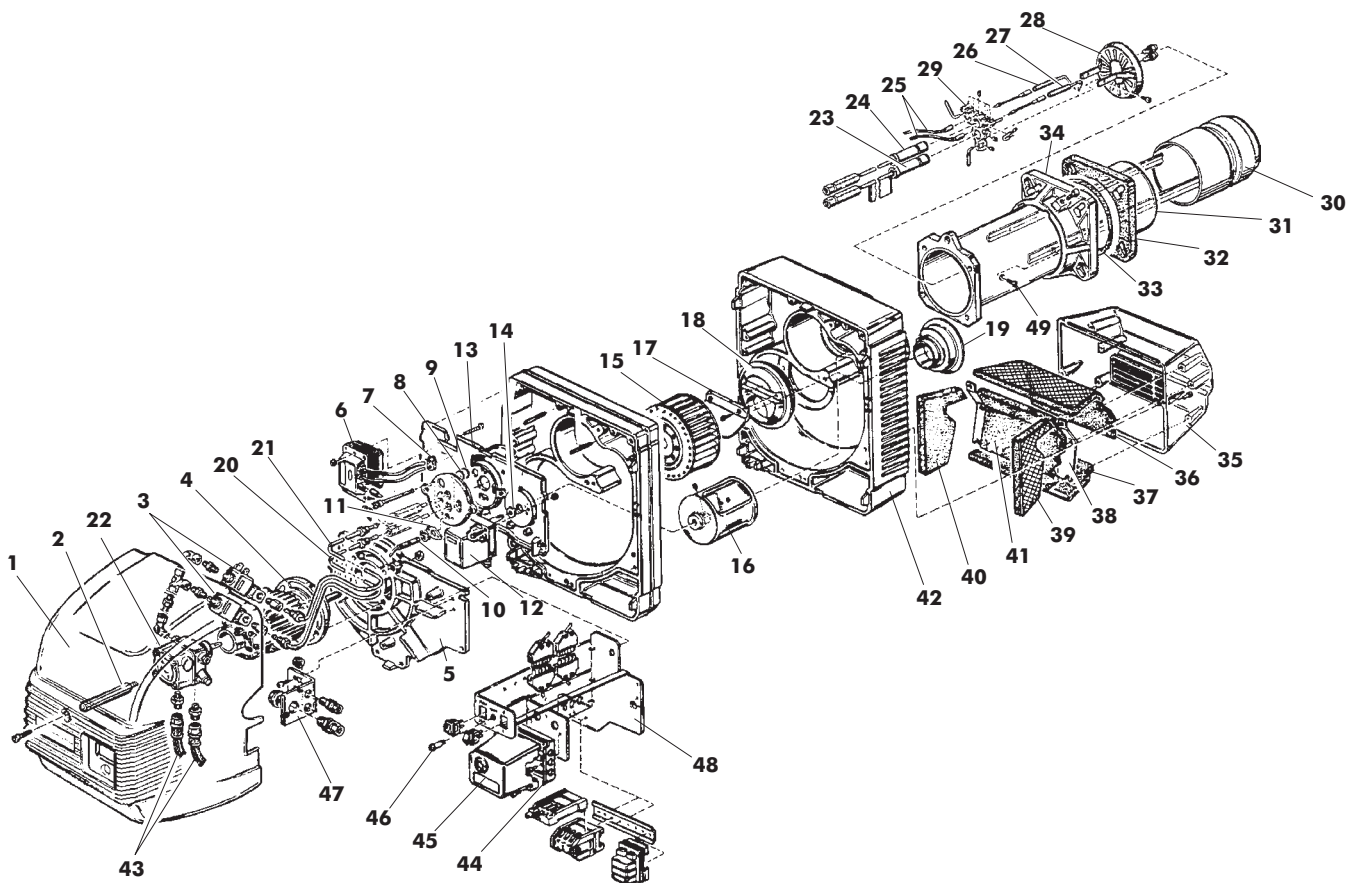
Поз.	Код	Наименование
------	-----	--------------

1	1.11084.0	Кожух
2	4.03300.0	Насос
3	4.03764.0	Труба нагнетания 1-ой ступени
4	4.03765.0	Труба нагнетания 2-ой ступени
5	4.03763.0	Моторедуктор
6	4.03746.0	Крепежная распорка кожуха
7	4.03667.0	Кабельная втулка
8	4.03762.0	Узел фланца-держателя сопел
9	4.03748.0	Крышка для улитки
10	4.03749.0	Окно
11	4.03752.0	Штифт
12	4.03753.0	Дроссель регулировки воздуха
13	4.03759.0	Воздушная улитка
14	4.03758.0	Патрубок воздухозабора
15	4.03754.0	Уплотнение ствола
16	4.03745.0	Шланг
17	4.03744.0	Шланговый штуцер
18	1.08571.0	Суппорт жиклера
19	1.08586.0	Распорка
20	1.08573.0	Отражатель
21	4.01028.0	Электрод зажигания

Поз.	Код	Наименование
------	-----	--------------

22	4.03741.0	Двигатель
23	4.01901.0	Аппар. LANDIS тип LOA 44
24	4.01551.0	Опора аппаратуры
25	4.03757.0	Пластина электрошита
26	4.03270.0	Трансформатор
27	4.03751.0	Вентилятор
28	4.03750.0	Герметизирующий сектор
29	1.08542.0	Воздушная крышка
30	1.08569.0	Форсунка
31	1.06591.0	Фланец с шарниром
32	1.06593.0	Изоляционный шнур
33	1.06592.0	Изоляционная прокладка
34	1.06371.0	Кронштейн электродов
35	1.08674.0	Держатель электродов
36	4.03760.0	Кабель ионизации
37	4.03643.0	Пружина патрубка подачи
38	4.03642.0	Держатель фотоэлемента
39	4.03640.0	Смотровое окно
40	4.03766.0	Муфта
41	4.03669.0	Электроклапан



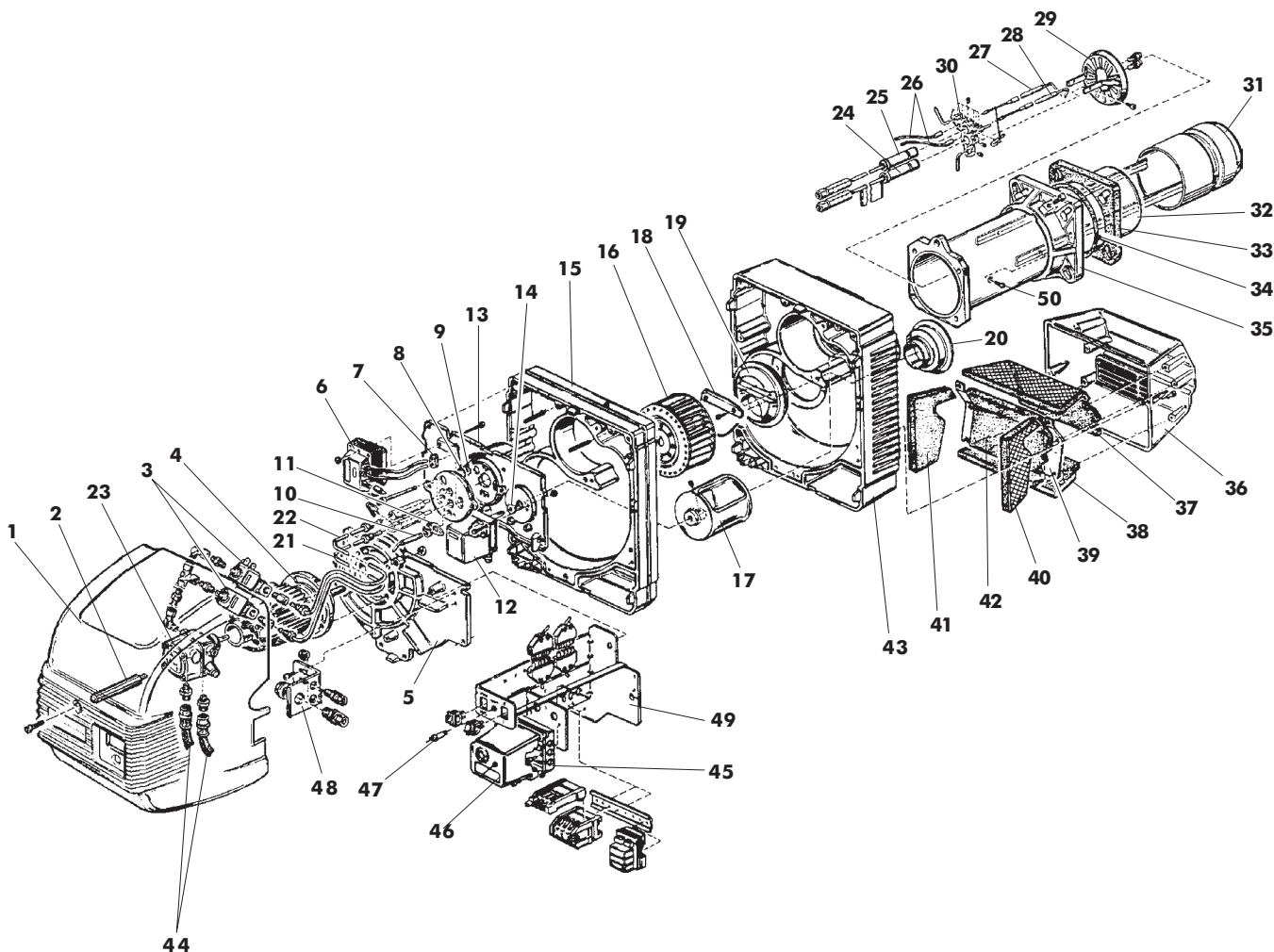


Поз.	Код	Наименование
------	-----	--------------

1	1.11096.0	Кожух
2	4.03662.0	Крепежная распорка кожуха
3	4.03669.0	Электроклапан
4	4.03778.0	Двигатель
5	4.03802.0	Нижняя крышка улитки
6	4.03270.0	Трансформатор
7	4.03667.0	Кабельная втулка
8	4.03640.0	Смотровое окно
9	4.03641.0	Пружинная шайба
10	4.03780.0	Фотоэлемент
11	4.03642.0	Держатель фотоэлемента
12	4.03779.0	Моторедуктор
13	4.03673.0	Верхняя крышка улитки
14	4.03674.0	Втулка моторедуктора
15	4.03675.0	Вентилятор
16	4.03676.0	Кольцо регулировки воздуха
17	4.03777.0	Герметизирующий сектор
18	4.03678.0	Герметизирующее кольцо
19	4.03679.0	Кольцо входа воздуха
20	4.03790.0	Труба нагнетания 1-ой ступени
21	4.03791.0	Труба нагнетания 2-ой ступени
22	4.03800.0	Насос
23	4.03786.0	Корпус держателя сопла 1-ой ступ.
24	4.03783.0	Корпус держателя сопла 1-ой ступ.
25	4.03760.0	Кабель ионизации

Поз.	Код	Наименование
------	-----	--------------

26	4.03782.0	Электрод зажигания
27	4.03782.0	Электрод зажигания
28	4.03785.0	Отражатель
29	4.03784.0	Суппорт держателя сопла
30	1.09386.0	Форсунка
31	4.03787.0	Подводящая труба
32	1.06592.0	Изоляционная прокладка
33	1.06593.0	Изоляционный шнур
34	1.01464.2	Фланец с шарниром
35	4.03683.0	Воздухозаборная коробка
36	4.03684.0	Верхняя изоляция
37	4.03685.0	Нижняя изоляция
38	4.03686.0	Рама воздухозаборной коробки
39	4.03687.0	Правая боковая изоляция
40	4.03688.0	Левая боковая изоляция
41	4.03689.0	Центральная изоляция
42	4.03690.0	Воздушная улитка
43	4.03745.0	Шланг
44	4.01551.0	Опора аппаратуры
45	4.01901.0	Аппар. LANDIS тип LOA 44
46	4.03697.0	Держатель предохранителей
47	4.03700.0	Опора кабельных зажимов
48	4.03701.0	Кронштейн электрощита
49	1.08560.0	Круглая ручка


**Поз. Код Наименование**

1	1.11096.0	Кожух
2	4.03662.0	Крепежная распорка кожуха
3	4.03669.0	Электроклапан
4	4.03776.0	Двигатель
5	4.03802.0	Нижняя крышка улитки
6	4.03270.0	Трансформатор
7	4.03667.0	Кабельная втулка
8	4.03640.0	Смотровое окно
9	4.03641.0	Пружинная шайба
10	4.03780.0	Фотоэлемент
11	4.03642.0	Держатель фотоэлемента
12	4.03779.0	Моторедуктор
13	4.03673.0	Верхняя крышка улитки
14	4.03674.0	Втулка
15	4.03703.0	Распорный модуль
16	4.03704.0	Вентилятор
17	4.03705.0	Кольцо регулировки воздуха
18	4.03706.0	Герметизирующий сектор
19	4.03678.0	Герметизирующее кольцо
20	4.03679.0	Кольцо входа воздуха
21	4.03798.0	Труба нагнетания 1-ой ступени
22	4.03799.0	Труба нагнетания 2-ой ступени
23	4.03800.0	Насос
24	4.03795.0	Корпус держателя сопла 1-ой ступ.
25	4.03793.0	Корпус держателя сопла 1-ой ступ.

**Поз. Код Наименование**

26	4.03760.0	Кабель ионизации
27	4.03782.0	Электрод зажигания
28	4.03782.0	Электрод зажигания
29	4.03796.0	Отражатель
30	4.03794.0	Суппорт держателя сопла
31	1.09852.0	Форсунка
32	4.03797.0	Подводящая труба
33	1.05024.0	Изоляционная прокладка
34	1.05025.0	Изоляционный шнур
35	1.05023.0	Фланец с шарниром
36	4.03683.0	Воздухозаборная коробка
37	4.03684.0	Верхняя изоляция
38	4.03685.0	Нижняя изоляция
39	4.03686.0	Рама воздухозаборной коробки
40	4.03687.0	Правая боковая изоляция
41	4.03688.0	Левая боковая изоляция
42	4.03689.0	Центральная изоляция
43	4.03690.0	Воздушная улитка
44	4.03745.0	Шланг
45	4.01551.0	Опора аппаратуры
46	4.01901.0	Аппар. LANDIS тип LOA 44
47	4.03697.0	Держатель предохранителей
48	4.03700.0	Опора кабельных зажимов
49	4.03701.0	Кронштейн электрощита
50	1.08560.0	Круглая ручка